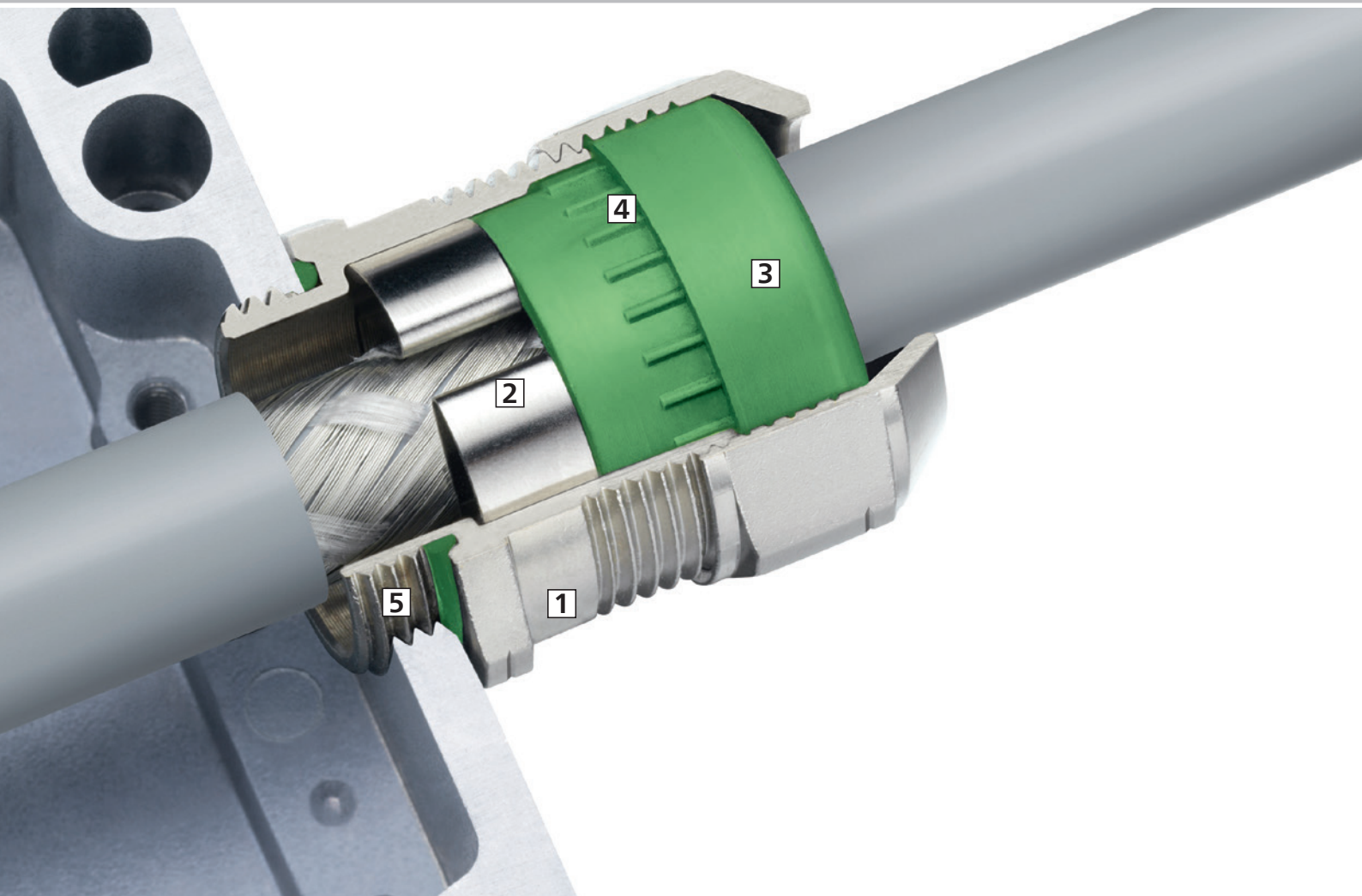


Progress[®] EMC easyCONNECT stainless steel A2.

Quick, safe and convenient installation thanks
to an innovative contact spring.

For professional cable entries.





Progress® EMC easyCONNECT stainless steel A2 with FPM sealing insert.

The Progress® EMC easyCONNECT cable gland of A2 stainless steel is new to our product range and generally available from stock. It ensures full control during installation and compensates for tolerances in shield thicknesses to always achieve a firm shield grip. The spring system provides for a very good contact of partially stripped shielding cables equally as well as for the contact of completely exposed cable shields which can be routed further.

1 Immediately recognisable

The Progress® EMC easyCONNECT cable gland of A2 stainless steel is immediately recognisable by the EMC marking on its lower part.

2 Optimal shield contact

The powerful, protective clamping of the cable shield guarantees excellent shield contact and provides for the smallest possible transfer impedance. The shape of the contact spring not only allows for a large clamping range to the shield nut also for easy disassembly without damaging the EMC braid.

3 Best possible sealing

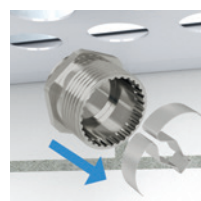
Two-part sealing inserts can be adapted to the existing cable diameter on site in just seconds and guarantee perfect sealing in compliance with IP 68 and IP 69.

4 High resistance to torsion

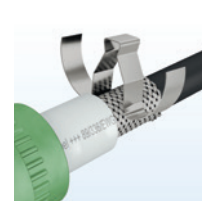
The integrated retaining grooves in the lower part and in the sealing insert grant against twisting.

5 Short or long entry threads

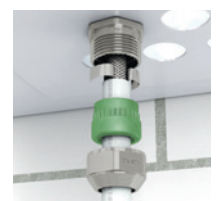
Short or long entry threads in metric types M12 - M63 allow secure anchoring of the cable gland with or without an EMC locknut.



Remove contact spring.

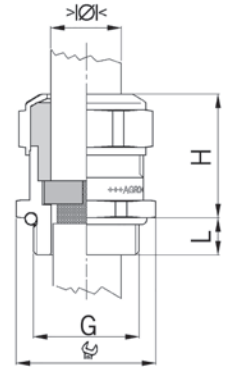


Clip the contact spring onto the screen.



Assemble as shown.

Material: Steel A2 (EN 1.4305 / AISI 303)
 Identification: 1 Groove
 Contact spring: Spring steel 1.4310
 Seal: FPM
 O-Ring: FPM
 Operation temperature: -40°C / +200°C
 Strain relief: Version A acc. to EN 62444
 Protection class: IP 68 (bis 10 bar) / IP 69
 Properties: For a quick and safe installation of partially dismantled cables as well as thoroughly shielded cables



Two-piece sealing insert
 not overall length insulated

G	>Ø< min mm	>Ø< max mm	>Ø< min mm	>Ø< max mm	mm	H mm	L mm	i info	Art.-No.	
M12x1.5	-	-	3.5	5.0	17	22	7	1	1083.12.96.050	50
M12x1.5	-	-	5.0	6.5	17	22	7	1	1083.12.96.065	50
M16x1.5	6.0	8.0	8.0	10.5	19	25	7	-	1083.17.96	50
M20x1.5	8.0	11.0	11.0	15.0	24	27	8	-	1083.20.96	50
M25x1.5	12.5	16.0	16.0	20.5	30	33	8	-	1083.25.96	25
M32x1.5	17.0	21.0	21.0	25.5	36	33	9	-	1083.32.96	25
M40x1.5	24.0	28.5	28.5	33.0	46	38	9	-	1083.40.96	10
M50x1.5	33.0	37.0	37.0	42.0	55	42	10	-	1083.50.96	10
M63x1.5	40.0	46.0	46.0	52.0	70	42	10	-	1083.63.96	5

1 = One-piece sealing insert

The benefits offered by this addition to our product range:

- FPM sealing insert
- Very high chemical resistance
- Wide temperature range: -40°C / +200°C
- Stainless steel A2

Cable glands Progress® EMC easyCONNECT Multi

With standard drills

With customised drills



You define number and diameter of the cable gland - we produce your individual EMC multi cable gland. AGRO realises customised solutions.



Systems and solutions for professional cable routing.



Progress® EMC.

EMC cable glands. Wide product range for interference-free cable installations.



Cable glands.

Progress® and Syntec® cable glands. For cables, the best.



Protective cable conduits.

Products for applications in mechanical engineering, facilities construction, automobile and rolling stock manufacture, automation and energy engineering.

Technical information and advice

For further information about our products, system solutions and communication media, please visit our website: www.agro.ch

Our team of technical advisors will be happy to answer any questions you may have or provide further information, and looks forward to speaking with you: **+41 (0)62 889 47 47**

