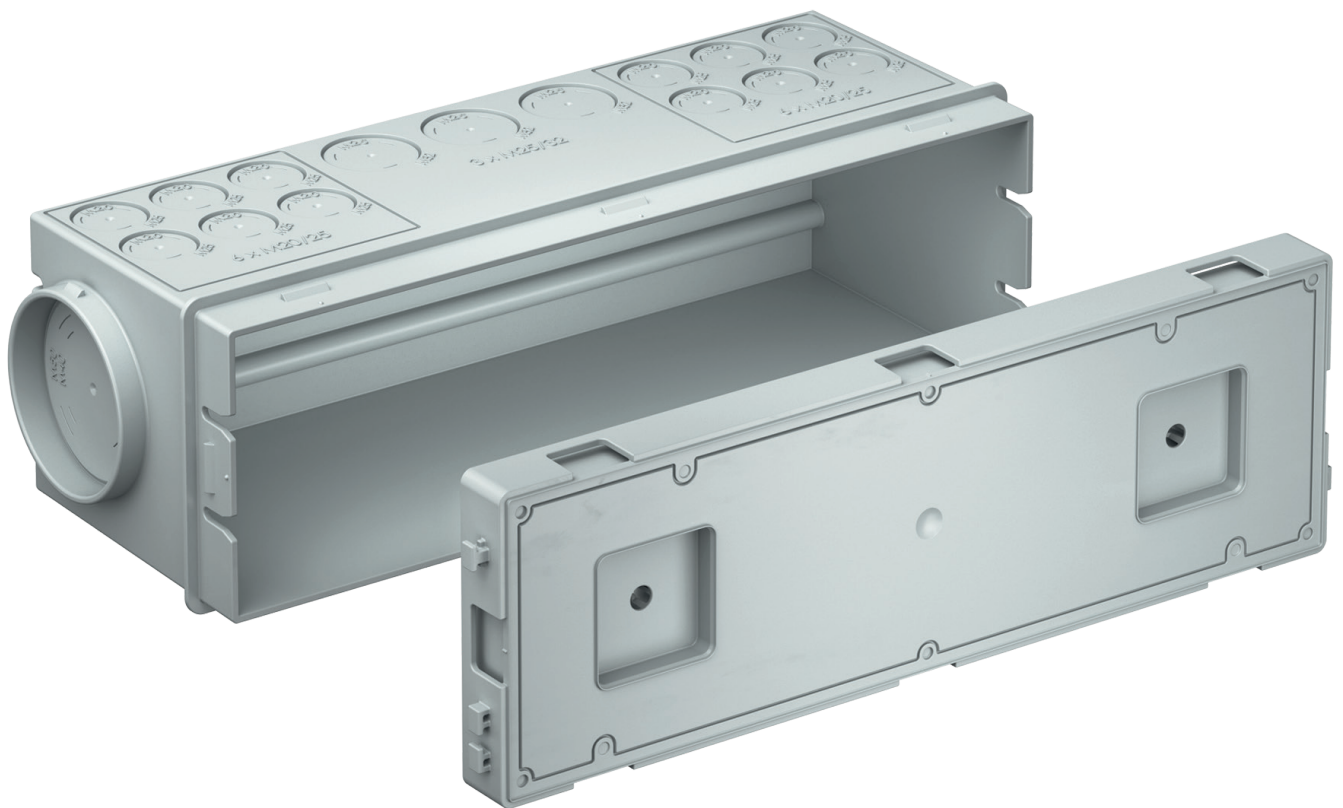


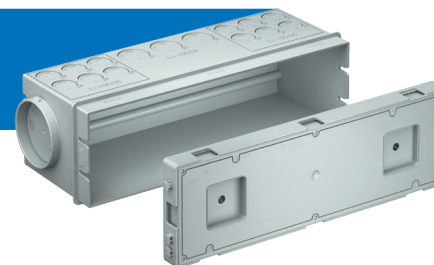
AGRO box for formwork.

Maximum flexibility.

Bringing together conduits of different sizes.



Box for formwork for universal conduit entries



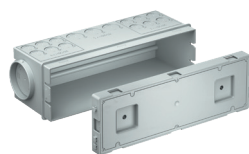
The new box for formwork for concrete structures is primarily used to bring together conduits of different diameters from electrical distribution boards and cable routes. The range of accessories includes plastic screw-down cover and moisture-proof cover made from anodised aluminium. Six metal screws are supplied with both types of cover. The metal screws for the moisture-proof cover are rust-proof.

Where insulation material is retrofitted to the underside of a ceiling slab, extension elements can be used to bridge the distance between the concrete slab and the finished ceiling. The advantage of these frames is that they can be combined to accommodate insulation of any thickness. The plastic screw-down cover is designed for neat and secure attachment and for use in dry areas. The moisture-proof cover is suitable for wet rooms.

- The front part can be nailed to the formwork before the conduits are installed
- Short nails means less deformation when hammered in
- The rear part can be snapped into place on the front part
- Can be combined together to make a row of units of any length
- Supplied with pre-installed nails
- Large number of pre-defined conduit entry possibilities, including one on each end for sizes up to M63

Box for formwork

- Material: Polyethylene
- Properties: Halogen-free
- Temperature range: -5°C / +60°C



Length x Width x Depth	326 x 104 x 118 mm
Multi-option conduit entries: M20 / M25	24
Multi-option conduit entries: M25 / M32	6
Multi-option conduit entries: M40 / M50 / M63	2
Large knockout openings	4
Number of nails	6
650 °C / S	ja / ja
CE	ja
Art.-No.	9914.10
E-No.	155 006 908
Packaging unit	10

Upper frame for box for formwork

- Material: Polypropylene
- Properties: Halogen-free
- Temperature range: -5°C / +60°C



Length x Width x Depth	308 x 98 x 45 mm
For Item No.	9914.10
850 °C / S	ja / ja
CE	ja
Art.-No.	9914.10.68
E-No.	155 992 698
Packaging unit	5

Plastic screw-down cover

- Material: Polypropylene
- Properties: Halogen-free
- Temperature range: -5°C / +60°C



Length x Width x Depth	330 x 120 x 5 mm
Colour	RAL 9010
Screws	6
For Item No.	9914.10
850 °C / S	ja / ja
CE	ja
Art.-No.	9914.10.02
E-No.	155 917 908
Packaging unit	1

Moisture-proof cover alu

- Material: Anodised aluminium
- Seal: CR Neoprene



Length x Width x Depth	330 x 120 x 8 mm
Screws	6
For Item No.	9914.10
Art.-No.	9914.10.03
E-No.	155 902 398
Packaging unit	1